

## Cylinder batteries for high purity gases

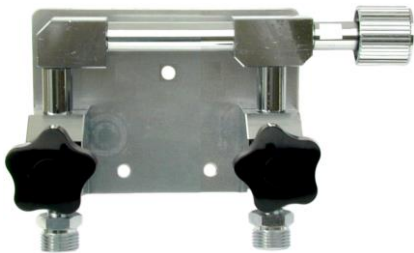
Cylinder batteries for the connection of two or three cylinders to the manual change-over switching station Art.7850 or for connection to the automatic change-over switching station Art.7860. Inlet left or right.

For connection to the manual change-over station Art.7850 :

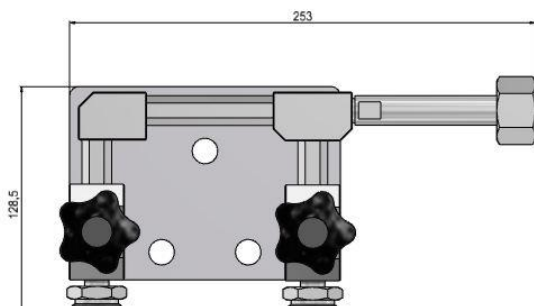
Art.7832 cylinder battery for two cylinders, inlet left or right  
 Art.7833 cylinder battery for three cylinders, inlet left or right

For connection to the automatic change-over station Art.7860 :

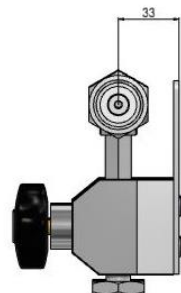
Art.7842 cylinder battery for two cylinders, inlet left or right  
 Art.7843 cylinder battery for three cylinders, inlet left or right



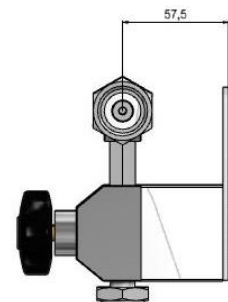
Inlet pressure	:	max. 200 bar
Gas	:	all pure gases and gas mixtures with exception of acetylene and corrosive gases
Inlet	:	for non combustibile gases : G3/4" R male for combustibile gases : G3/4" L male
Outlet	:	for non combustibile gases : G3/4" R female for combustibile gases : G3/4" L female
Material	:	master manifold valve and connecting tube in brass, outer parts chrome plated, mounting plate in aluminium, star grip in duroplast
Sealing material	:	POM, PA6, NBR
Operating temperature	:	-20°C to + 60°C
Dimensions	:	s. dimensional sketch
Weight	:	Art.7832 : 2 kg / Art.7833 : 3.2 kg / Art.7842 : 2.4 kg / Art.7843 : 3.6



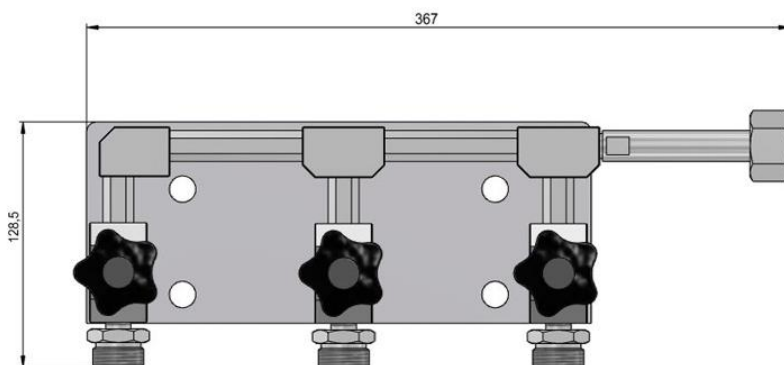
Art. 7832 / Art. 7842



Art. 7832 / Art. 7833



Art. 7842 / Art. 7843



Art. 7833 / Art.7843